

# THERMOSTATS & CONTROLLERS

## PROGRAMMABLE FAN COIL THERMOSTAT T180 SERIES



### DESCRIPTION

The **Peco T180 Series** is a 7-day, 4-event programmable FCU thermostat. The large ADA compliant backlit display shows temperature °F or °C with a simple push of a button and indicates fan and system status. The **T180** is powered from 24-277 volts with direct-wired manual fan or auto-staging fan models. Remote temperature sensor, pipe changeover sensor, setback input and occupancy sensor inputs are all standard.

### APPLICATION

Designed specifically for direct high voltage or low voltage wiring of fan coils used for heating and cooling, with fan and damper controls. Ideal for hotels, dormitories, retirement centers, resorts, condos, cottages, schools, vestibule entrances, and so on.

### FEATURES

- 7-day, 4-event schedule
- 1H/1C and On-Off vent damper
- H/C/A/O system switching
- Fan switch Auto/On/Off
- L/M/H manual fan speed or fan staging models
- 24-277 VAC power
- Large backlit ADA compliant display/buttons
- Occupancy motion detector inputs
- Door switch or setback input
- Remote sensor and service alert input
- Change over sensor input



T180-001



SE200-001



SA200-001



SB200-001



- Keypad lockout
- 2-pipe or 4-pipe operation
- Setback from occupancy or clock
- Temperature or continuous set point display
- Temperature offset display
- Setpoint limits, H and C
- Fan off delay
- H/C setback selection
- Easy occupant switched F or C display

SPECIFICATIONS							
<b>Supply Voltage</b>	24-277 VAC, ±10%, 50/60 Hz				<b>Button Controls</b>	Temperature select Heat/Cool/Auto/Off	
<b>Supply Current</b>	45 mA						
<b>Sensor Type</b>	Built-in 10K thermistor Type II						
<b>Remote Sensor</b>	10K thermistor Type II, acc. required						
<b>Output Control</b>	6-SPST relays H/C/Damper, Fan-L/M/H				<b>Fan Control</b>	On Hi-Med-Lo/Auto Hi-Med-Lo	
<b>Output Loads</b>					<b>Program</b>	Clock-°F/°C-Set-Copy-Hold	
<b>Voltage</b>	<b>RES</b>	<b>LRA</b>	<b>FLA</b>	<b>HP</b>	<b>Adjustments</b>	Service menu set up, 9 parameters	
120 VAC	6.0	34.8	5.8	1/4	<b>Enclosure</b>	Vinyl plastic for indoor use only	
240 VAC	5.0	17.4	2.9	1/4	<b>Switch Cycles</b>	100,000 cycles	
277 VAC	4.2	14.4	2.4	1/4	<b>Termination</b>	6" flying leads 18-14 AWG	
<b>Note:</b> Combined load not to exceed 20A						<b>Color</b>	White
<b>Control</b>	Proportional plus Integral (PI)				<b>Mounting</b>	Horizontal on wall. Screw direct or 4" x 4" back box	
<b>Dead-band</b>	3°F, (1.6°C)				<b>Operating Temperature</b>	130°F (54°C)	
<b>Setpoint</b>	50° to 90°F (10° to 32°C), adjustable				<b>Operating Humidity</b>	98% RH non-condensing	
<b>Setback (H/C)</b>	55° to 90°F (13° to 32°C), adjustable 8°F (4.4°C) minimum separation				<b>Dimensions</b>	4.4"H x 5.8"W x 1.4"D (11.2 x 14.7 x 3.5 cm)	
<b>Keypad Lockout</b>	All buttons disabled except setpoint				<b>Approvals</b>	UL Listed File #E50023, ULC, and ADA compliant	
<b>Display</b>	1" x 1.5" backlit digital display Room temp., setpoint, system and fan status				<b>Warranty</b>	5 years	
<b>Display Offset</b>	±9°F (5°C), in 1°F (0.5°C) increments						

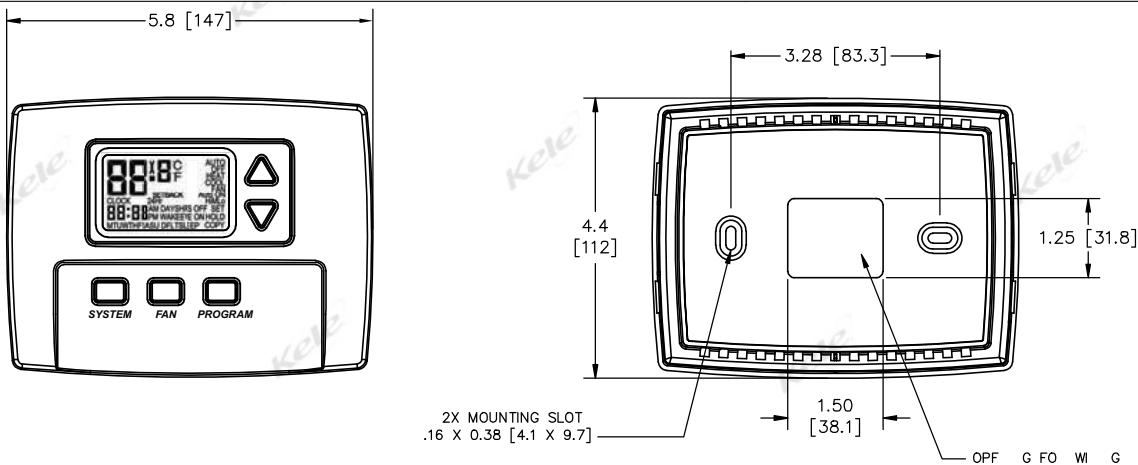
# THERMOSTATS & CONTROLLERS

70°

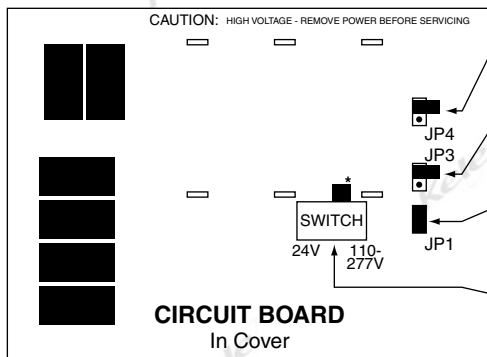
## PROGRAMMABLE FAN COIL THERMOSTAT

### T180 SERIES

#### DIMENSIONS



#### INSTALLATION / JUMPERS



**JP4 JUMPER SELECTION**  
This jumper selects between 2-pipe (jumper ON) and 4-pipe (jumper OFF) operation. (Shipped OFF)

**JP3 JUMPER SELECTION**  
This jumper is shipped normally open. Placement of a jumper allows for Occupancy Detection and Door Switch Only Operation. (Shipped OFF)

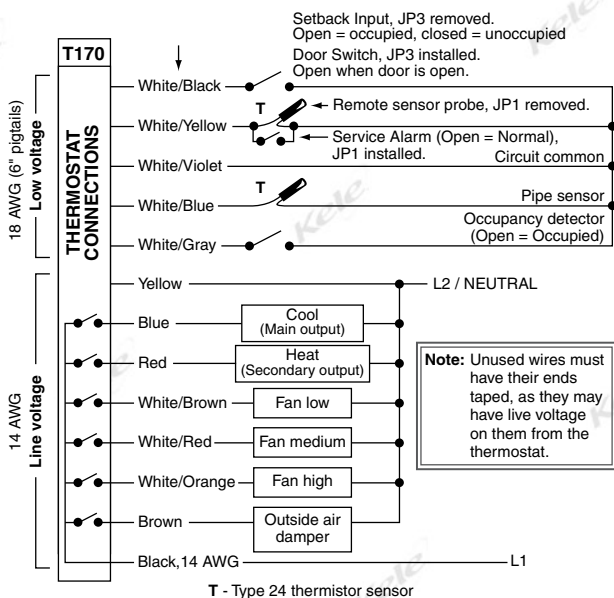
**JP1 JUMPER SELECTION**  
Removal of this jumper allows the sensor to be located in a remote location, or N.C. service alarm. (Shipped ON)

**VOLTAGE SELECTION SWITCH\***  
This switch must be placed in the appropriate position prior to application of power. (Shipped at 110-277V)

2/4 PIPE SELECTION	WATER TEMP	OUTPUT OPERATION	
		MAIN OUTPUT	SECONDARY OUTPUT
2-PIPE JP4 ON	Cold	Cooling Only - DA The fan will not cycle on with a heat demand.	Disabled
	Hot	Heating Only - RA The fan will not cycle on with a cool demand.	Disabled
4-PIPE JP4 OFF	Cold	Cooling - DA	Heating - RA
	Hot	Heating Only - RA The fan will not cycle on with a cool demand.	Disabled

\*Switch selection is as follows:  
24V = 24 VAC; 110-277 V = 120, 240, or 277 VAC

#### WIRING



#### ORDERING INFORMATION

MODEL	DESCRIPTION
<b>TA180-001</b>	24-277V, H/C/Dpr thermostat with system, fan, and three-speed manual fan switch
<b>TB180-001</b>	24-277V, H/C/Dpr thermostat with system, and fan switch off/auto with three-speed auto staging fan on demand every 2° (2° differential)

RELATED PRODUCTS	
<b>680-243-6</b>	Changeover thermostat with conduit fitting
<b>SA200-001</b>	Ceiling 360-degree occupancy motion sensor, 24 VAC/VDC, form C contacts
<b>SB200-001</b>	Wall occupancy/motion sensor, 110-degree view, 24 VAC/VDC, form C contacts
<b>SE200-001</b>	Plunger style door switch
<b>SE200-002</b>	Magnetic door/window switch, N.C.-SPST
<b>ST-R24S</b>	Changeover temperature sensor
<b>ST-S24E</b>	Remote room temperature sensor